



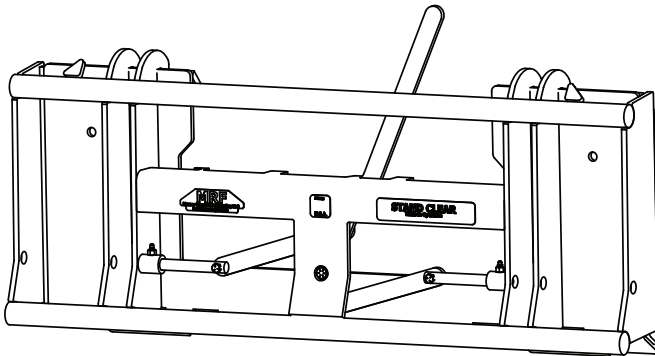
MESSER

ATTACHMENTS

OPERATOR'S MANUAL

Quick-Tach Adapter

Model MGLOBAL-QTP
Serial Number 13105-
Manual# 96413 JULY 2021 ENGLISH



COPYRIGHT © 2021 MESSER
ATTACHMENTS LLC SAUK
CENTRE, MN PRINTED IN USA
ALL RIGHTS RESERVED

Introduction

Using This Manual

The term loader is used in this manual to refer to a skid steer loader.

Your loader operator's manual contains instructions to safely operate the loader. Anyone who operates a loader with this attachment installed must first read, understand and follow the instructions in the loader operator's manual.

This manual contains instructions to safely operate and service the attachment. Anyone who operates or services the attachment must first read, understand and follow the instructions in this manual.

Additional operating or servicing information for the attachment may be provided online, in video, or in other publications. This additional information does not replace, and is not a substitute for reading and following, the instructions in this manual.

The safety alert symbol is shown in **WARNING** statements to alert users to hazards which could cause death or injury. Carefully read and follow the messages.

IMPORTANT notices alert users to instructions which, if not followed, could result in damage. Carefully read and follow the messages.

There may be times when the attachment and loader shown in this manual may not be your exact model. The model shown will be close enough to your attachment or loader to accurately convey the information.

The most current information available is included in this manual. The publisher may revise this manual at any time and is not required to notify users of revisions.

Replacement Manuals

Be sure to include this operator's manual if you sell or transfer ownership of the attachment.

Contact Messer Attachments LLC for a printed manual, or find a downloadable manual on our website.

Using This Attachment

The attachment is designed to be installed on your loader to attach a secondary attachment to your skid steer.

The attachment is designed for installation on a full-size loader.

The manufacturer reserves the right to make improvements, and to dis-

Introduction

continue or change specifications, models or design without notice and without incurring obligation.

Loader Compatibility

Confirm your loader's Rated Operating Capacity (ROC in the loader operator's manual. Confirm your attachment's ROC in Specifications in this manual.

Do not install the attachment on the loader if the combined weight of the attachment and attachment load will exceed the loader ROC during operation because this may cause difficulty in controlling the loader or may cause loader damage.

Do not exceed the attachment's ROC because this may damage the attachment.

Product Misuse

Product misuse can cause accidents, injury and death.

The manufacturer of the attachment is not responsible for any harm or injury resulting from product misuse.

Product misuse includes operating or servicing the attachment without following the instructions in this manual, using the attachment in any way for which it was not designed, and modifying the attachment.

Modifications

Do not modify the attachment in any way.

Manufacturer Contact

Call Messer Attachments LLC at (833) 352-3477, or see us at www.messerattach.com.

Product Identification

Identification Numbers

Record your product information to provide when you contact the dealer or manufacturer.

Quick-Tach Adapter
Model MGLOBAL-QTP
Serial Number 13105-

Serial Number Location



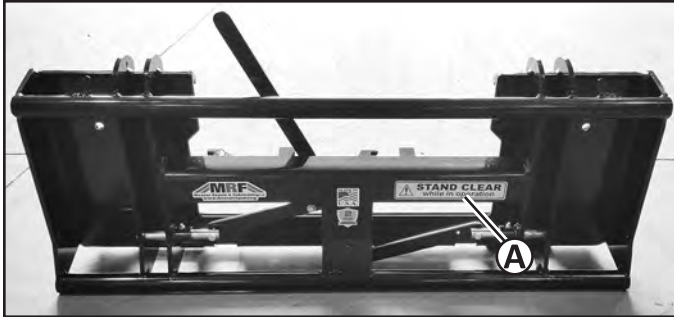
Purchase Date	
Dealer	
Dealer Phone	
Model	
Serial #	

Specifications

Model	MGLOBAL-QTP
Length x Width x Height	127 x 53 x 13 cm (46 x 22 x 9 in.)
Weight	57 kg (185 lbs.)
Rated Operating Capacity	1361 kg (5000 lbs.)

Safety Decals

Decal Locations



Location	Description	Part Number
A	Stand Clear Decal	96138

STAND CLEAR DECAL 96138



STAND CLEAR WHILE IN OPERATION

Safety

Wear Protective Equipment

- Wear gloves to protect hands from burns if hydraulic couplers become hot during operation.
- Never wear sandals or other light footwear when operating or servicing the attachment. Wear protective footwear when handling blades or heavy parts.
- Do not wear loose fitting clothing which may become entangled when operating or servicing the attachment.

Parking Safely

1. Follow the instructions in the loader operator's manual to park the loader safely.
2. Fully lower the attachment to level ground.
3. Stop the loader engine and remove the key from the switch.
4. Do not leave the loader operator seat until the engine and all other moving loader and attachment parts have stopped.
5. Follow the instructions in the loader operator's manual to exit the loader safely. Use the attachment step area if one is provided.

Operating Attachments Safely

- Do not allow anyone to operate the attachment unless they have first read and understood the loader and the attachment operator's manuals.
- Do not allow anyone to operate the attachment unless they have first read and understood the safety and warning decals on the loader and on the attachment.
- The attachment owner is responsible for training others to safely operate the attachment, and is responsible for any injuries or harm which occurs while the attachment is being operated.
- If an area to step on the attachment has been provided, be sure to use it when entering and exiting the loader.
- Before operating, replace any worn or damaged safety decals.
- Before operating, thoroughly inspect the attachment to be sure all hardware (bolts, nuts, etc.) is installed and tightened.
- Before operating, thoroughly inspect the attachment to be sure it is

Safety

in working order. If the attachment is damaged or otherwise not in working order, do not operate until it has been repaired by a qualified technician.

- Before raising or lowering the attachment be sure the area is clear of bystanders.
- Do not operate the loader or the attachment if you are under the influence of alcohol, drugs, or medications which may cause drowsiness.
- Do not allow children to operate the loader or the attachment.
- Do not allow anyone who has not been trained to operate the loader or the attachment.
- Never allow riders on the attachment.
- Keep hands, feet or other objects away from underneath the attachment while operating.
- Fully lower the attachment to level ground when you are done operating.
- Never leave the attachment unattended while in a raised position.
- When transporting the attachment installed on the loader, travel at a slower speed to maintain control.

Servicing Safely

- Disconnect the attachment hydraulic hoses from the loader before servicing. Do not service the attachment when the hydraulic hoses are installed on the loader.
- Remove the attachment from the loader before servicing when instructed to do so in this manual.
- Do not allow anyone to service the attachment unless they have first read and understood the loader and the attachment operator's or service manuals.
- Do not allow anyone to service the attachment unless they have first read and understood the safety and warning decals on the loader and on the attachment.
- The attachment owner is responsible for training others to safely service the attachment, and is responsible for any injuries or harm which occurs while the attachment is being serviced.

Safety

- Before inspecting or servicing the attachment, follow the Parking Safely instructions in this manual and disconnect the attachment hydraulic hoses from the loader.
- Always securely block the attachment to prevent accidental release of the lifting mechanism when inspecting or servicing the attachment.

Hydraulic Fluid Safety

- Read and understand the hydraulic safety information in the loader operator's manual before operating or servicing the attachment.
- Use cardboard or a board when you check for a leak.
- Fluid in hydraulic hoses is under extreme pressure. If fluid is injected into your skin seek medical treatment immediately.
- Do not handle any hydraulic components until pressure has been relieved from the system.
- Disconnect the attachment hydraulic hoses from the loader before inspection or service.
- Inspect attachment hydraulic hoses and hose shields for damage or wear before attaching to the loader.

Safety Decals

Safety decals may be installed on the attachment to warn users of safety hazards:

- **DANGER** decals provide warnings about hazardous situations which will result in death or serious injury if not avoided.
- **WARNING** decals provide warnings about hazardous situations which could result in death or serious injury if not avoided.
- **CAUTION** decals provide warnings about hazardous situations which could result in injury if not avoided.

Read and understand all safety decals before operating or servicing the attachment.

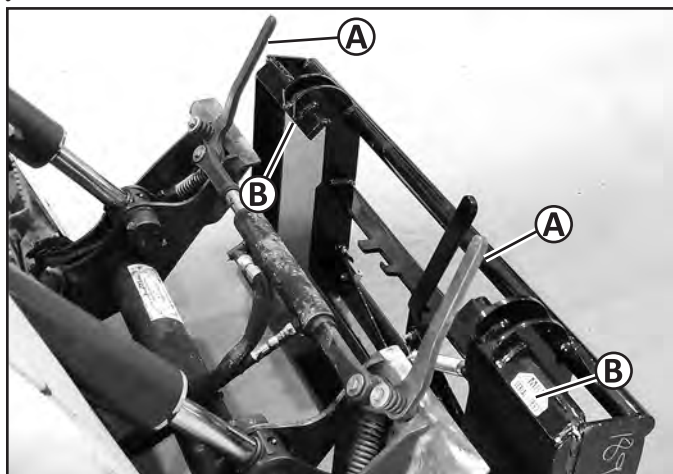
See the Safety Decal Location illustration in this manual to confirm where decals are installed on the attachment.

Safety decals which are missing, worn or faded must be replaced. Replacement safety decal part numbers are included in this manual. Contact the attachment manufacturer for replacement decals.

Installing and Removing

Installing the Attachment

1. Follow the instructions in the loader operator's manual to install the attachment and exit the operator station safely.
2. Fully lower the loader lift arms.



3. Move the loader attaching plate levers (A) to the unlocked (up) position either manually or by using the loader controls.



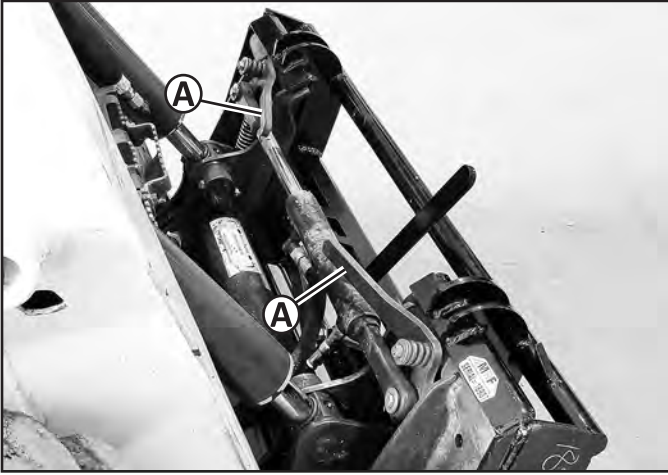
IMPORTANT

AVOID DAMAGE!

Attaching plate levers may be damaged if they strike the attachment. Be sure the attaching plate levers do not hit the attachment during installation.

4. Tilt the loader attaching plate forward, and drive the loader forward until the top edge of the loader attaching plate is under the top flange (B) of the attachment mounting frame.
5. Raise the loader lift arms slightly until the attaching plate is fully seated under the top flange.
6. Tilt the attaching plate backward to raise the front of the attachment.

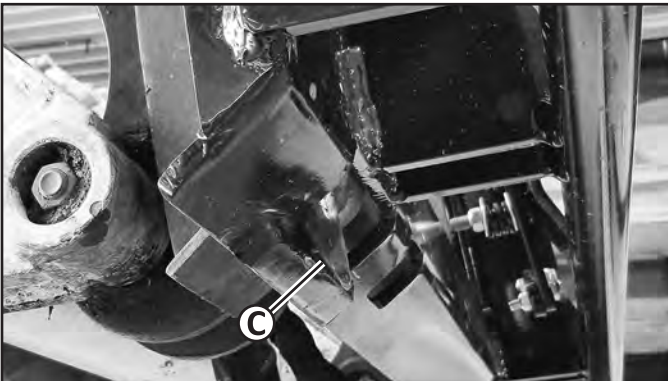
Installing and Removing



7. Move the loader attaching plate levers (A) to the locked (fully down) position either manually or by using the loader controls.
8. Park the loader. (See Parking Safely in this manual.)

 **IMPORTANT**
AVOID DAMAGE!

The attachment may come off the loader if it is not secured to the attaching plate. The attaching plate pins or wedges must be extended into the attachment with the levers fully down.



Picture Note: Wedge on right side of attachment shown. Check the

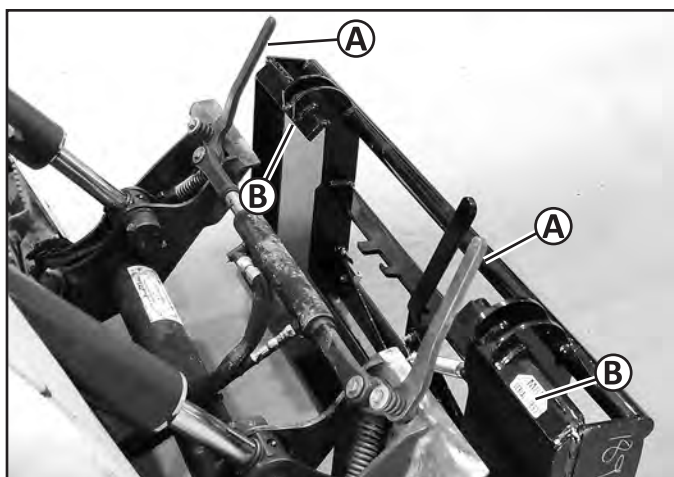
Installing and Removing

wedges or pins on both sides of the attachment.

9. Check to be sure the loader attaching plate pins or wedges (C) extended into the holes in the bottom of the attachment mounting frame. If not, move the loader attaching plate levers to the unlocked (up) position and repeat installation.

Removing the Attachment

1. Follow the instructions in the loader operator's manual to remove the attachment and exit the operator station safely.
2. Fully lower the loader lift arms and the attachment to level ground.

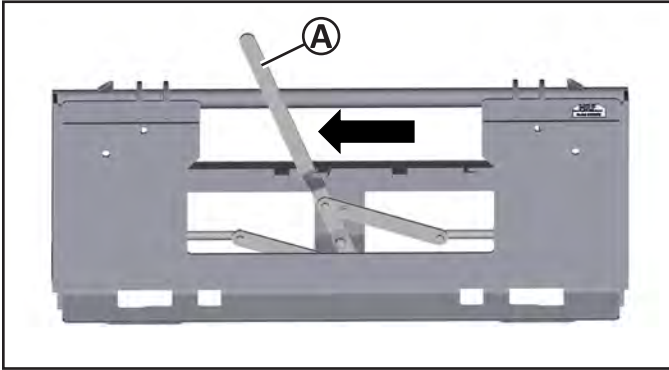


3. Move the loader attaching plate levers (A) to the unlocked (up) position as shown either manually or by using the loader controls.
4. Tilt the loader attaching plate forward slightly and drive the loader backward until the top edge of the attaching plate clears the top flange (B) of the attachment mounting frame.

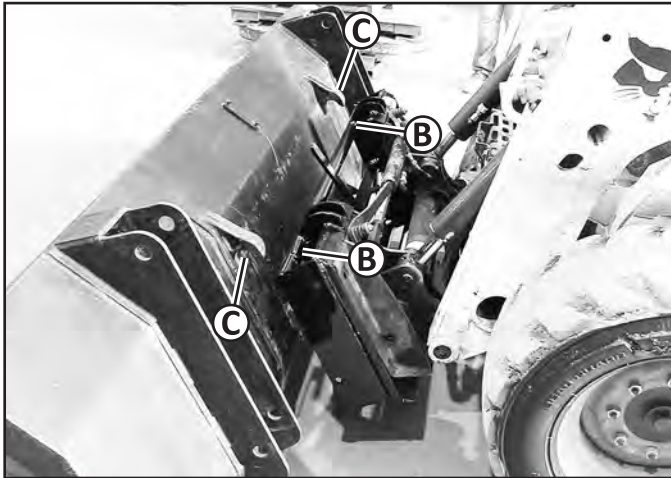
Installing and Removing

Installing the Secondary Attachment

1. Follow the instructions in this manual to install the Quick-Tach Adapter.
2. Fully lower the loader lift arms.

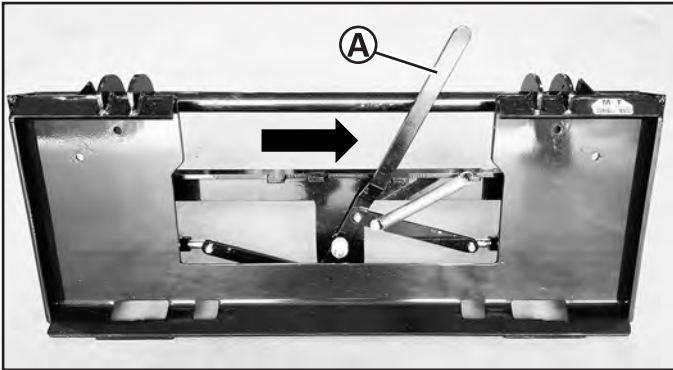


3. Move the Adapter lever (A) to the unlocked position.



4. Tilt the Adapter forward, and drive the loader forward until the top attaching points on the Adapter (B) and the top attaching points on the secondary attachment (C) are aligned.
5. Raise the loader lift arms until the secondary attachment is seated on the Adapter, and tilt the Adapter with the secondary attachment back.

Installing and Removing



6. Move the Adapter lever (A) to the locked position.
7. Check to be sure the male pins on the Adapter are secured in the bottom attaching points on the secondary attachment. If not, move the Adapter lever to the unlocked position and repeat installation.

Operating

Pre-Operation Inspection

Before starting operation, inspect the area you will be operating in and inspect the attachment.

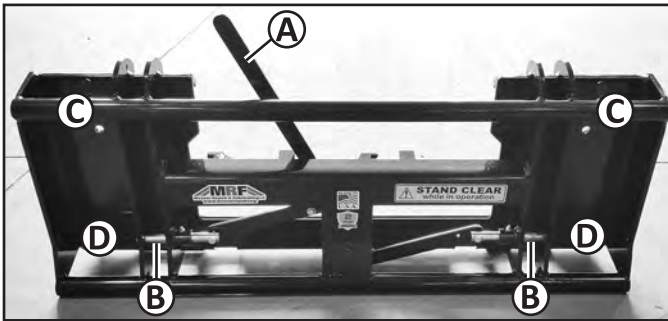
Inspect the Work Area

1. Confirm the area is clear of bystanders including animals. Establish a safety zone by keeping bystanders and animals beyond a 100 foot radius around the attachment when operating.

Inspect the Attachment

1. Inspect the attachment to be sure it is in working order. If the attachment is damaged or not in working order, do not operate until it has been repaired by a qualified technician.

Description



A - Lever	C - Attaching Point (Top)
B - Male Pin	D - Attaching Point (Bottom, [Pin])

Operating

Theory of Operation

The loader's hydraulic controls are used to raise, tilt and operate the Quick-Tach Adapter with the installed secondary attachment.

Operation

1. Follow the instructions in the Installing and Removing section to install the Adapter and the secondary attachment.
2. Park the loader. (See Parking Safely in this manual.)
3. Perform the pre-operation inspection.
4. Follow the instructions in your secondary attachment operator manual to operate the attachment.

Transporting the Attachment

On the Loader

Check to be sure the attachment is correctly installed on the loader before hauling the loader on a trailer or truck. Follow all loader, truck or trailer operator's manual instructions to safely haul the loader.

Hauling the Attachment

Follow all truck or trailer operator's manual instructions to securely fasten the attachment to the truck or trailer with straps or chains.

Servicing

Service Intervals

Every 8 hours or daily:

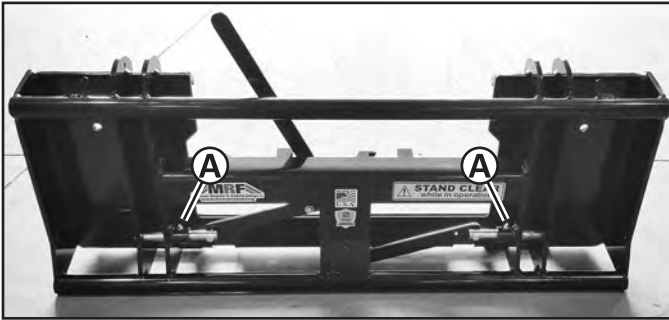
- Grease the male pins.
- Inspect the attachment for damage and wear. Replace parts as needed.
- Check and tighten all hardware.

Lubrication

Recommended Grease

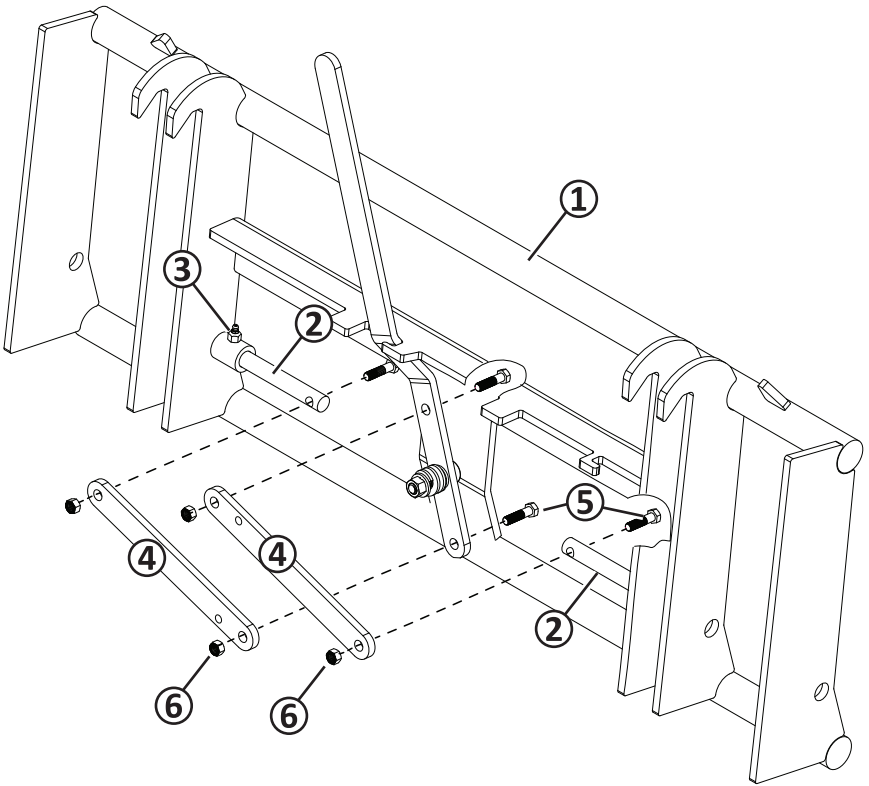
Standard Lithium

Lubricating the Male Pins



1. Lubricate the two grease fittings (A) until grease appears in the joints.

Replacement Parts



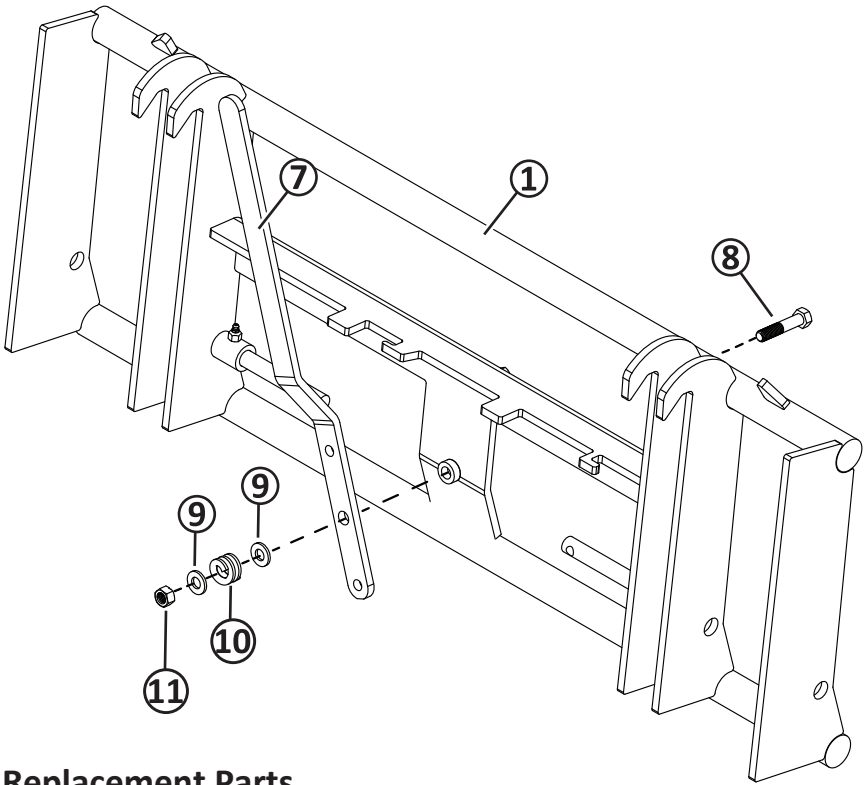
Replacement Parts

Contact Messer Attachments LLC for replacement parts. Part numbers may change without notice.

Item	Qty.	Part Number	Part Description
1	1	111772-P	Body Weldment
2	2	08538	Male Pin
3	2		1/8 Grease Zerk
4	2	08541-P	Pivot Arm
5	4		Hex Cap Bolt, 3/8 - 16 x 1-1/2
6	4		Top Locknut, 3/8 - 16

*Part not shown.

Replacement Parts



Replacement Parts

Contact Messer Attachments LLC for replacement parts. Part numbers may change without notice.

Item	Qty.	Part Number	Part Description
7	1	11774-P	Lever
8	1		Bolt, 1/2 x 20 x 1-1/2
9	2		Flat Washer, 1/2
10	1	07921	Wedge Lever Tension Spring
11	1		Top Locknut, 1/2 - 13
*	1	96179	Steel Extension Spring w/ Loop Ends
*	1		Cap Screw, .25 x 1.25
*	2		Locknut, .25
*	1		Flat Washer, .25

Warranty

MESSER ATTACHMENTS LLC

Limited Warranty and Terms and Conditions of Sale

The following limited warranty, and terms and conditions of sale (the “Limited Warranty”) apply to all equipment, products, parts, and goods (any of the foregoing are referred to herein as “Equipment”) sold by Messer Attachments LLC (“Messer”):

1. **Covers All Equipment.** Each purchase of Equipment by a purchaser is expressly made conditional on purchaser’s assent to the terms and conditions in this Limited Warranty.
2. **Limited Warranty.** Messer warrants that for a period of 24 months from the date of purchase, the Equipment will remain free from defects in material and workmanship under normal use and proper maintenance. The warranty does not cover damage from operating in excess of rated capacities or normal wear and tear. Messer’s obligation under the warranty shall be limited to the repair or replacement (at Messer’s option) of the Equipment. Notwithstanding the foregoing, if the Equipment is used for commercial purposes or is rented or leased out by the purchaser, then, the foregoing warranty shall only be for a period of 180 days and not 24 months.
3. **No Warranty For Equipment Components From Third Parties.** Notwithstanding the limited warranty terms set forth above, MESSER OFFERS NO WARRANTY WHATSOEVER WITH RESPECT TO ANY COMPONENTS OF THE EQUIPMENT MADE OR PROVIDED TO MESSER BY OTHER MANUFACTURERS, PRODUCERS, OR SELLERS (the “Purchased Components”). The sole and exclusive warranty for each the Purchased Components shall be limited to the express written warranty with respect to the Purchased Component as provided by the manufacturer, producer, or seller of such Purchased Component. Messer’s responsibility and liability for the Purchased Components shall be limited to the assignment of the Purchased Components’ express written warranties applicable to the Purchased Components. Purchased Components include, without limitation, the following: axles, tires and rims; trailer hitch components and jacks; hydraulic pumps, motors, cylinders and components; and bales spears, pallet tines, and bucket teeth.
4. **No Other Warranties.** THE FOREGOING REPAIR AND REPLACEMENT OBLIGATIONS IN SECTION 2 ARE IN LIEU OF ALL OTHER WARRANTIES, LIABILITIES AND OBLIGATIONS, INCLUDING ALL WARRANTIES OF MERCHANTABILITY, OF FITNESS FOR A PARTICULAR PURPOSE OR OTHERWISE, EXPRESSED OR IMPLIED IN FACT OR BY LAW, AND STATE MESSER’S ENTIRE AND EXCLUSIVE LIABILITY AND PURCHASER’S EXCLUSIVE REMEDY FOR ANY CLAIM IN CONNECTION WITH THE SALE AND PURCHASE OF EQUIPMENT (AND ALL COMPONENTS THEREOF), THEIR DESIGN, SUITABILITY FOR USE, INSTALLATION OR OPERATIONS.

Warranty

5. Location of Warranty Repairs. All warranty repairs pursuant to this Limited Warranty shall be made at Messer's corporate manufacturing plant, or other location as determined by Messer, at its discretion. Purchaser shall be responsible for and pay for any transportation expenses necessary for Limited Warranty repairs.

6. Limited Warranty Voidable. The limited warranty herein is void and deemed waived if the purchaser fails to give written notice to Messer of any alleged defect under the limited warranty herein within 20 days of its discovery; or (a) purchaser or parties other than Messer or its authorized representatives attempts to remedy or fix the alleged Equipment defects; or (b) purchaser has used the Equipment for purposes it was not intended to be used for; or (c) purchaser has not operated the Equipment in a manner consistent with Messer's instructions for the Equipment; or (d) the Equipment has been modified, altered, abused, or misused; or (e) the Equipment has been damaged pursuant to accident, fire, flood, or other Act of God.

7. No Consequential Damages. IN NO EVENT SHALL MESSER BE LIABLE FOR ANY DIRECT, INDIRECT, SPECIAL OR CONSEQUENTIAL DAMAGES WHATSOEVER, AND MESSER'S LIABILITY, UNDER NO CIRCUMSTANCES, WILL EXCEED THE PRICE PAID FOR THE EQUIPMENT FOR WHICH LIABILITY IS CLAIMED.

8. Governing Law. This contract shall be governed by the laws of the State of Minnesota.

9. Arbitration. Any controversy or claim arising out of or relating to the limited warranty provided herein, or any alleged breach thereof, shall be settled exclusively by arbitration in accordance with the Rules of the American Arbitration Association, and judgment upon the award rendered by the arbitrator may be entered in any court having jurisdiction thereof. The arbitration shall be conducted in Minneapolis, MN, by one arbitrator selected by Messer and Purchaser, or, if they cannot agree, the President of the American Arbitration Association.