

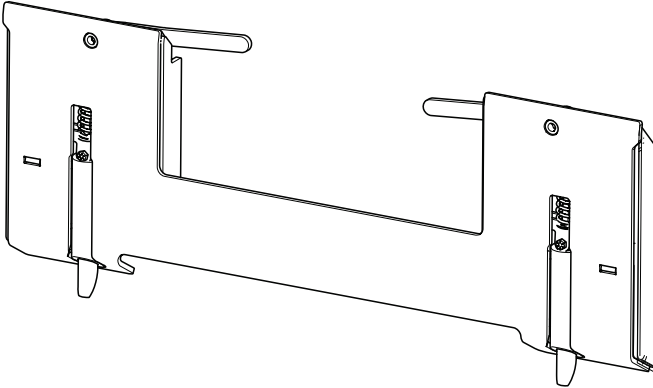


OPERATOR'S MANUAL

Quick-Tach Adapters

Models MQTP-JD120-500, MQTP-
JD145-158, MQTP-JD240-265, MQTP-
JD600-700

Serial Number 13105-
Manual# 96392 APRIL 2024 ENGLISH



COPYRIGHT © 2021 MESSER
ATTACHMENTS LLC SAUK
CENTRE, MN PRINTED IN USA
ALL RIGHTS RESERVED

Introduction

Using This Manual

Your tractor loader operator's manual contains instructions to safely operate the tractor loader. Anyone who operates a tractor loader with this attachment installed must first read, understand and follow the instructions in the tractor loader operator's manual.

This manual contains instructions to safely operate and service the attachment. Anyone who operates or services the attachment must first read, understand and follow the instructions in this manual.

Additional operating or servicing information for the attachment may be provided online, in video, or in other publications. This additional information does not replace, and is not a substitute for reading and following, the instructions in this manual.

The safety alert symbol is shown in **WARNING** statements to alert users to hazards which could cause death or injury. Carefully read and follow the messages.

IMPORTANT notices alert users to instructions which, if not followed, could result in damage. Carefully read and follow the messages.

There may be times when the attachment and tractor loader shown in this manual may not be your exact model. The model shown will be close enough to your attachment or tractor loader to accurately convey the information.

The most current information available is included in this manual. The publisher may revise this manual at any time and is not required to notify users of revisions.

Replacement Manuals

Be sure to include this operator's manual if you sell or transfer ownership of the attachment.

Contact Messer Attachments LLC for a printed manual, or find a downloadable manual on our website.

Using This Attachment

The attachment is designed to be installed on your tractor loader to attach a skid-steer attachment to your tractor loader.

The attachment is designed for installation specific tractor loader models.

The manufacturer reserves the right to make improvements, and to dis-

Introduction

continue or change specifications, models or design without notice and without incurring obligation.

Loader Compatibility

Confirm your tractor loader's Rated Operating Capacity (ROC in the tractor loader operator's manual. Confirm your attachment's ROC in SPECIFICATIONS in this manual.

Do not install the attachment on the tractor loader if the combined weight of the attachment and attachment load will exceed the tractor loader ROC during operation because this may cause difficulty in controlling the tractor loader or may cause tractor loader damage.

Do not exceed the attachment's ROC because this may damage the attachment.

Product Misuse

Product misuse can cause accidents, injury and death.

The manufacturer of the attachment is not responsible for any harm or injury resulting from product misuse.

Product misuse includes operating or servicing the attachment without following the instructions in this manual, using the attachment in any way for which it was not designed, and modifying the attachment.

Modifications

Do not modify the attachment in any way.

Manufacturer Contact

Call Messer Attachments LLC at (833) 352-3477, or see us at www.messerattach.com.

Product Identification

Identification Numbers

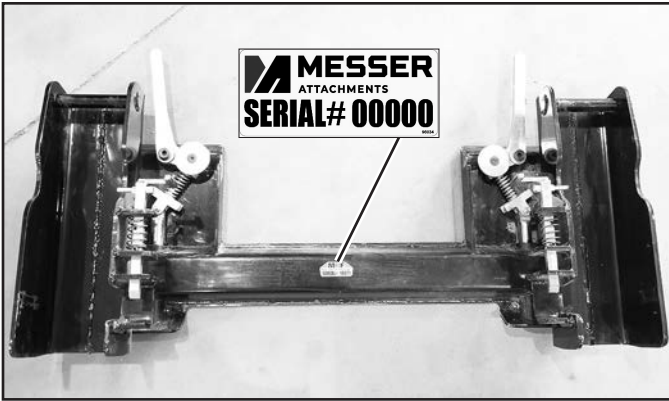
Record your product information to provide when you contact the dealer or manufacturer.

Quick-Tach Adapters

Models MQTP-JD120-500, MQTP-JD145-158, MQTP-JD240-265, MQTP-JD600-700

Serial Number 13105-

Serial Number Location



Purchase Date	
Dealer	
Dealer Phone	
Model	
Serial #	

Specifications

Model	MQTP-JD120-500
Length x Width x Height	127 x 53 x 13 cm (50 x 21 x 5 in.)
Weight	57 kg (125 lbs.)
Rated Operating Capacity	1361 kg (3000 lbs.)

Model	MQTP-JD145-158
Length x Width x Height	114 x 48 x 23 cm (45 x 19 x 9 in.)
Weight	70 kg (155 lbs.)
Rated Operating Capacity	1361 kg (3000 lbs.)

Model	MQTP-JD240-265
Length x Width x Height	119 x 46 x 18 cm (47 x 18 x 7 in.)
Weight	64 kg (140 lbs.)
Rated Operating Capacity	2268 kg (5000 lbs.)

Model	MQTP-JD600-700
Length x Width x Height	124 x 58 x 25 cm (49 x 23 x 10 in.)
Weight	84 kg (185 lbs.)
Rated Operating Capacity	2268 kg (5000 lbs.)

Safety

Wear Protective Equipment

- Wear gloves to protect hands from burns if hydraulic couplers become hot during operation.
- Never wear sandals or other light footwear when operating or servicing the attachment. Wear protective footwear when handling blades or heavy parts.
- Do not wear loose fitting clothing which may become entangled when operating or servicing the attachment.

Parking Safely

1. Follow the instructions in the tractor operator's manual to park the tractor loader safely.
2. Fully lower the attachment to level ground.
3. Stop the tractor engine and remove the key from the switch.
4. Do not leave the tractor operator seat until the engine and all other moving tractor and attachment parts have stopped.
5. Follow the instructions in the tractor operator's manual to exit the tractor safely.

Operating Attachments Safely

- Do not allow anyone to operate the attachment unless they have first read and understood the tractor loader and the attachment operator's manuals.
- Do not allow anyone to operate the attachment unless they have first read and understood the safety and warning decals on the tractor loader and on the attachment.
- The attachment owner is responsible for training others to safely operate the attachment, and is responsible for any injuries or harm which occurs while the attachment is being operated.
- Before operating, replace any worn or damaged safety decals.
- Before operating, thoroughly inspect the attachment to be sure all hardware (bolts, nuts, etc.) is installed and tightened.
- Before operating, thoroughly inspect the attachment to be sure it is in working order. If the attachment is damaged or otherwise not in working order, do not operate until it has been repaired by a qualified

Safety

technician.

- Before raising or lowering the attachment be sure the area is clear of bystanders.
- Do not operate the tractor loader or the attachment if you are under the influence of alcohol, drugs, or medications which may cause drowsiness.
- Do not allow children to operate the tractor loader or the attachment.
- Do not allow anyone who has not been trained to operate the tractor loader or the attachment.
- Never allow riders on the attachment.
- Keep hands, feet or other objects away from underneath the attachment while operating.
- Fully lower the attachment to level ground when you are done operating.
- Never leave the attachment unattended while in a raised position.
- When transporting the attachment installed on the tractor loader, travel at a slower speed to maintain control.

Servicing Safely

- Disconnect the attachment hydraulic hoses from the tractor loader before servicing. Do not service the attachment when the hydraulic hoses are installed on the tractor loader.
- Remove the attachment from the tractor loader before servicing when instructed to do so in this manual.
- Do not allow anyone to service the attachment unless they have first read and understood the tractor loader and the attachment operator's or service manuals.
- Do not allow anyone to service the attachment unless they have first read and understood the safety and warning decals on the tractor loader and on the attachment.
- The attachment owner is responsible for training others to safely service the attachment, and is responsible for any injuries or harm which occurs while the attachment is being serviced.
- Before inspecting or servicing the attachment, follow the Parking Safely instructions in this manual and disconnect the attachment

Safety

hydraulic hoses from the tractor loader.

- Always securely block the attachment to prevent accidental release of the lifting mechanism when inspecting or servicing the attachment.

Hydraulic Fluid Safety

- Read and understand the hydraulic safety information in the tractor loader operator's manual before operating or servicing the attachment.
- Use cardboard or a board when you check for a leak.
- Fluid in hydraulic hoses is under extreme pressure. If fluid is injected into your skin seek medical treatment immediately.
- Do not handle any hydraulic components until pressure has been relieved from the system.
- Disconnect the attachment hydraulic hoses from the tractor loader before inspection or service.
- Inspect attachment hydraulic hoses and hose shields for damage or wear before attaching to the tractor loader.

Safety Decals

Safety decals may be installed on the attachment to warn users of safety hazards:

- DANGER decals provide warnings about hazardous situations which will result in death or serious injury if not avoided.
- WARNING decals provide warnings about hazardous situations which could result in death or serious injury if not avoided.
- CAUTION decals provide warnings about hazardous situations which could result in injury if not avoided.

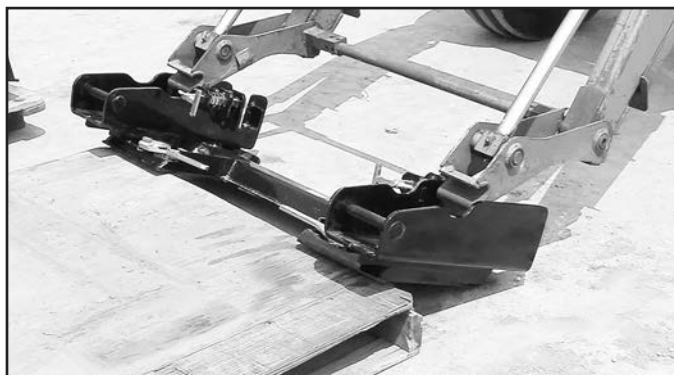
Read and understand all safety decals before operating or servicing the attachment.

See the Safety Decal Location illustration in this manual to confirm where decals are installed on the attachment.

Safety decals which are missing, worn or faded must be replaced. Replacement safety decal part numbers are included in this manual. Contact the attachment manufacturer for replacement decals.

Installing and Removing

Installing the Quick-Tach Adapter on the Tractor Loader



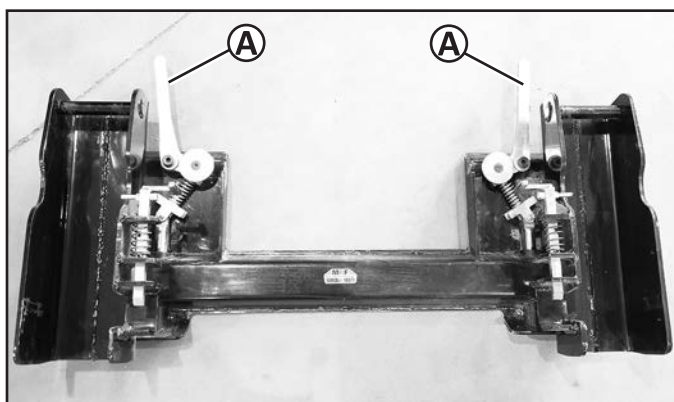
Picture Note: For easier installation on some loader models you may need to tilt the Adapter at an angle as shown.



IMPORTANT

AVOID DAMAGE!

The wedge pins in the Adapter may be damaged if they are extended during installation. Move the wedge levers to the unlocked (up) position before installation on, and after removal from, the loader.

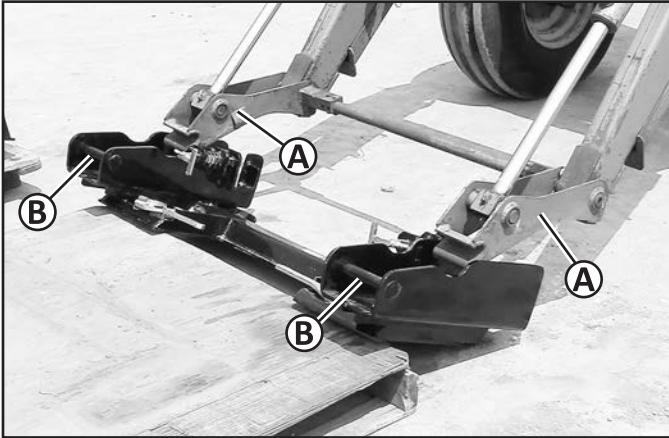


1. Move the wedge levers (A) to the upright position as shown before installing on the tractor loader.

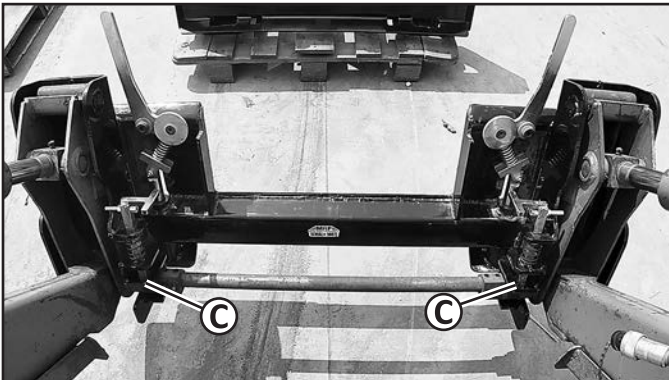
Installing and Removing

Installing on Tractor Loader (Model MQTP-JD600-700)

1. Follow the instructions in the tractor loader operator's manual to install the attachment and exit the operator station safely.



2. Extend the tractor loader cylinders to angle the attaching brackets (A) forward.
3. Raise the loader until the brackets engage the pins (B), and retract the cylinders to fully engage the pins and raise the Adapter.
4. Follow operator manual instructions to park the tractor safely.

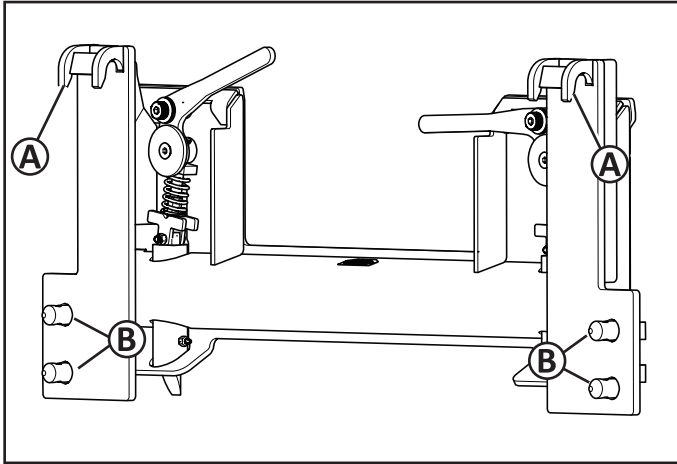


5. Check to be sure the pins (C) have dropped to secure the Adapter to the tractor loader.

Installing and Removing

Installing on Tractor Loader (Model MQTP-JD120-500)

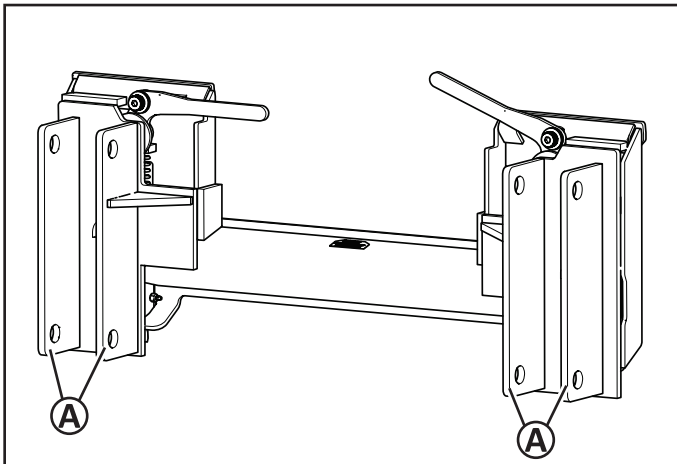
1. Follow the instructions in the tractor loader operator's manual to install the attachment and exit the operator station safely.



2. Follow the instructions to attach the loader holder and holder strap to the Adapter hook (A) and pin (B).

Installing on Tractor Loader (Model MQTP-JD145-158)

1. Follow the instructions in the tractor loader operator's manual to install the attachment and exit the operator station safely.

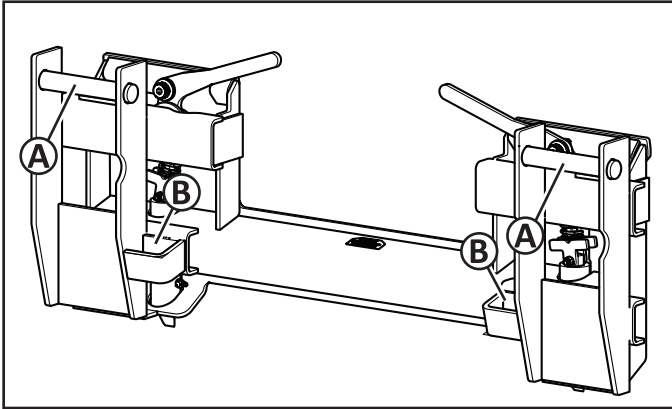


2. Follow the instructions to attach the loader pins to the holes in the mounting brackets (A).

Installing and Removing

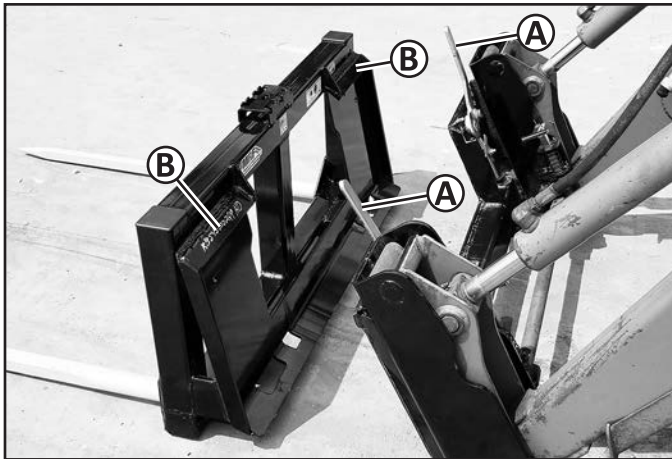
Installing on Tractor Loader (Model MQTP-JD240-265)

1. Follow the instructions in the tractor loader operator's manual to install the attachment and exit the operator station safely.



2. Follow the instructions to attach the loader carriers and pins to the Adapter pins (A) and brackets (B).

Attaching Quick-Tach Adapter on Tractor Loader to Skid Steer Attachment (All Models)



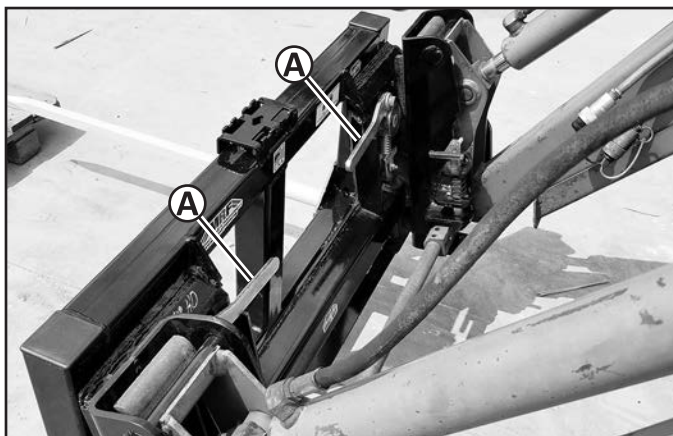
1. Move the wedge levers (A) to the unlocked (up) position.
2. Tilt the Adapter forward, and drive the tractor forward until the top edge of the Adapter attaching plate is under the top flange (B) of the

Installing and Removing

skid steer attachment.

 **IMPORTANT**
AVOID DAMAGE!
Adapter wedge levers may be damaged if they strike the attachment. Be sure the wedge levers do not hit the attachment during installation.

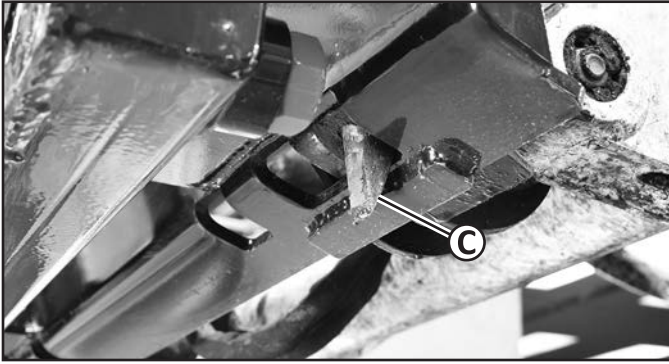
3. Raise the loader arms slightly until the Adapter attaching plate is fully seated under the top flange.
4. Tilt the Adapter backward to raise the front of the skid steer attachment.



5. Move the Adapter wedge levers (A) to the locked (down) position.
6. Follow the instructions in the tractor operator's manual to park the tractor and exit the operator station safely.

IMPORTANT
AVOID DAMAGE!
The skid steer attachment may come off the Adapter if it is not secured to the attaching plate. The Adapter wedge pins must be extended into the skid steer attachment with the levers fully down.

Installing and Removing



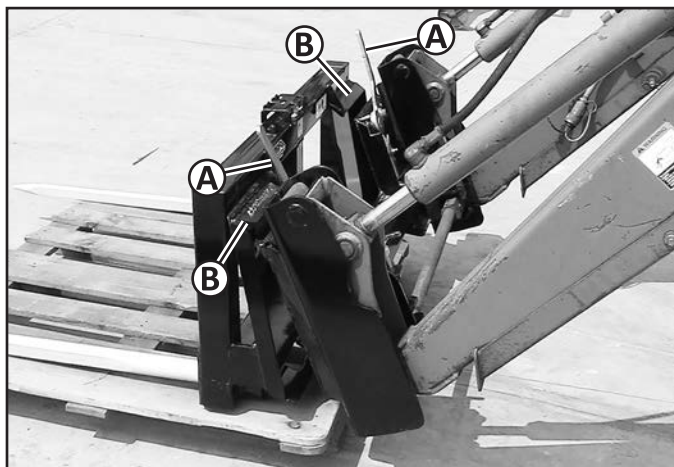
Picture Note: Adapter wedge pin on left side of skid steer attachment shown. Check the wedge pins on both sides of the attachment.

7. Check to be sure the Adapter wedge pins (C) extended into the holes in the bottom of the skid steer attachment mounting frame. If not, move the Adapter wedge levers to the unlocked (up) position and repeat installation.
8. Follow instructions in the skid steer attachment operator manual to connect the attachment hydraulic hoses to the tractor loader.

Removing the Quick-Tach Adapter From the Skid Steer Attachment (All Models)

1. Follow the instructions in the tractor loader operator's manual to remove the attachment and exit the operator station safely.
2. Fully lower the tractor loader arms and the attachment to level ground.
3. Follow instructions in the skid steer attachment operator manual to disconnect the attachment hydraulic hoses from the tractor loader.

Installing and Removing

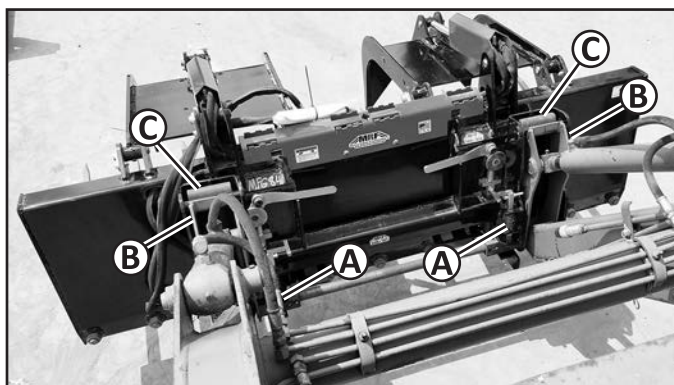


4. Move the Adapter wedge levers (A) to the unlocked (up) position as shown.
5. Tilt the loader attaching plate forward slightly and drive the tractor backward until the top edge of the Adapter attaching plate clears the top flange (B) of the skid steer attachment mounting frame.

Removing the Quick-Tach Adapter From the Tractor Loader (to Stay on the Skid Steer Attachment)

1. Follow the instructions in the tractor loader operator's manual to remove the attachment and exit the operator station safely.
2. Fully lower the tractor loader arms and the attachment to level ground.

Removing from Tractor Loader (Model MQTP-JD600-700)

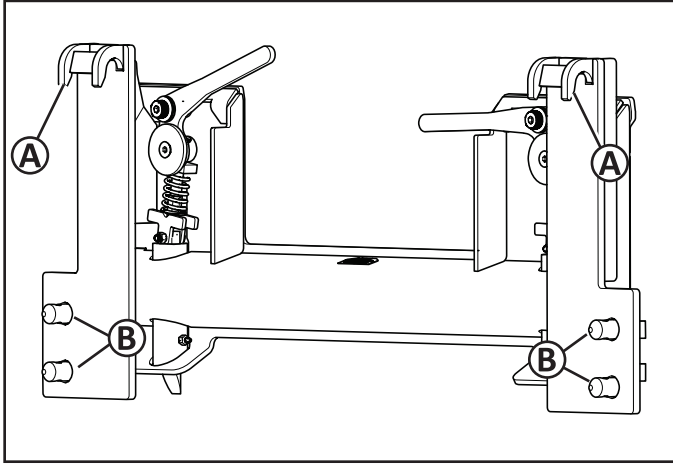


Installing and Removing

1. Move the Adapter pins (A) to the open (up) position.
2. Lower the loader attaching brackets (B), tilt the brackets forward slightly and drive the tractor backward until the attaching brackets are removed from the pins (C).

Removing from Tractor Loader (Model MQTP-JD120-500)

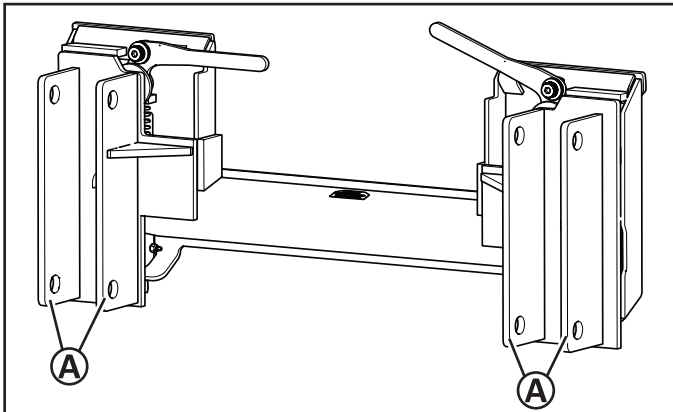
1. Follow the instructions in the tractor loader operator's manual to remove the attachment and exit the operator station safely.



2. Follow the instructions to remove the loader holder and holder strap from the Adapter hook (A) and pin (B).

Removing from Tractor Loader (Model MQTP-JD145-158)

1. Follow the instructions in the tractor loader operator's manual to remove the attachment and exit the operator station safely.

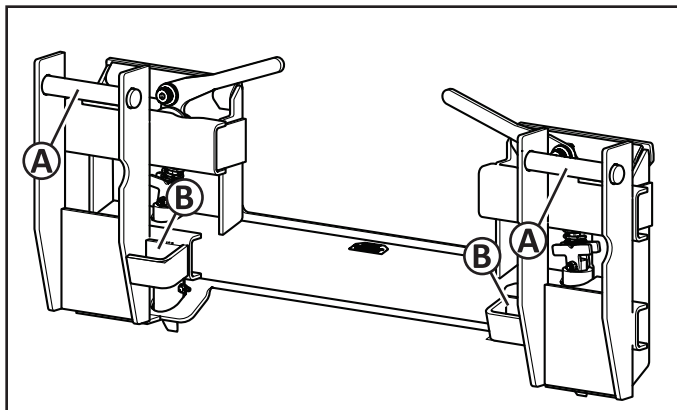


Installing and Removing

2. Follow the instructions to remove the loader pins from the holes in the mounting brackets (A).

Removing from Tractor Loader (Model MQTP-JD240-265)

1. Follow the instructions in the tractor loader operator's manual to remove the attachment and exit the operator station safely.



2. Follow the instructions to remove the loader carriers and pins from the Adapter pins (A) and brackets (B).

Operating

Pre-Operation Inspection

Before starting operation, inspect the area you will be operating in and inspect the attachment.

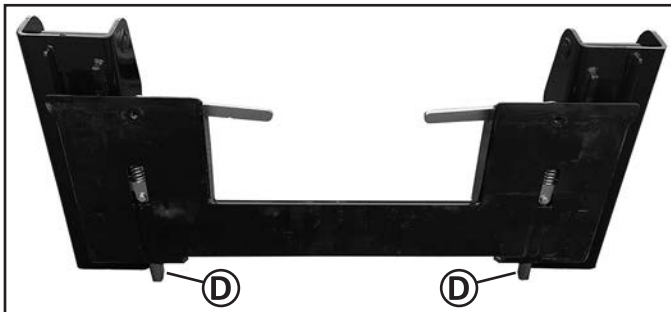
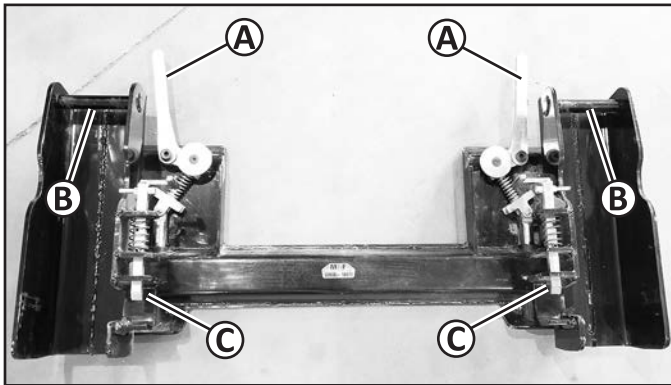
Inspect the Work Area

1. Confirm the area is clear of bystanders including animals. Establish a safety zone by keeping bystanders and animals beyond a 100 foot radius around the attachment when operating.

Inspect the Attachment

1. Inspect the attachment to be sure it is in working order. If the attachment is damaged or not in working order, do not operate until it has been repaired by a qualified technician.

Description



A - Wedge Lever	C - Pin (MQTP-JD600-700 only)
B - Pin	D - Wedge Pin

Operating

Theory of Operation

The tractor's hydraulic controls are used to raise, tilt and operate the Quick-Tach Adapter with the installed skid steer attachment.

Operation

1. Follow the instructions in the Installing and Removing section to install the attachment.
2. Follow the instructions in the tractor operator's manual to park the tractor and exit the operator station safely.
3. Perform the pre-operation inspection.
4. Follow the instructions in your skid steer attachment operator manual to operate the attachment.

Transporting the Attachment

On the Loader

Check to be sure the attachment is correctly installed on the tractor loader before hauling on a trailer or truck. Follow all tractor loader, truck or trailer operator's manual instructions to safely haul the attachment.

Hauling the Attachment

Follow all truck or trailer operator's manual instructions to securely fasten the attachment to the truck or trailer with straps or chains.

Servicing

Service Intervals

Every 8 hours or daily:

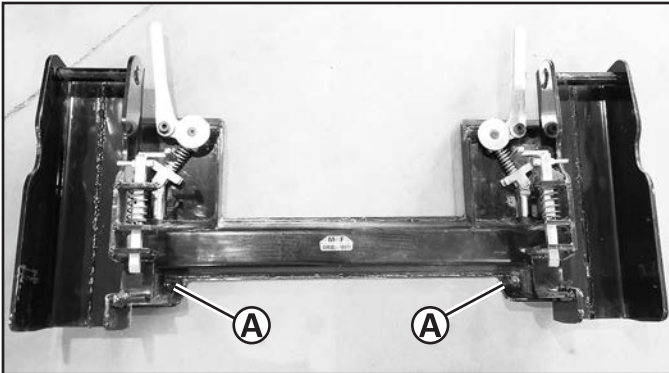
- Grease the wedge pins.
- Inspect the attachment for damage and wear. Replace parts as needed.
- Check and tighten all hardware.

Lubrication

Recommended Grease

Standard Lithium

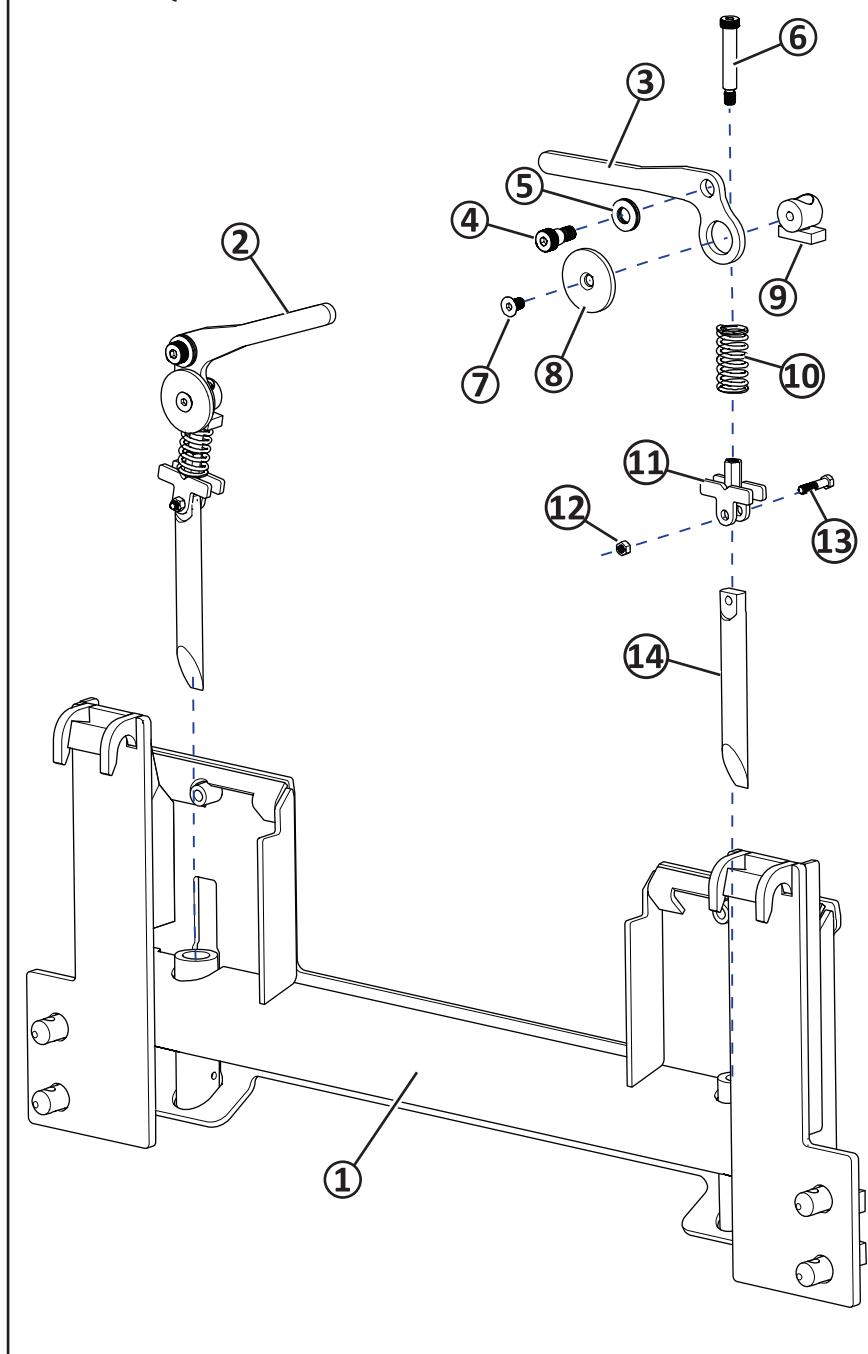
Lubricating the Wedge Pins



1. Lubricate the two grease fittings (A) until grease appears in the joints.

Replacement Parts

Model MQTP-JD120-500



Replacement Parts

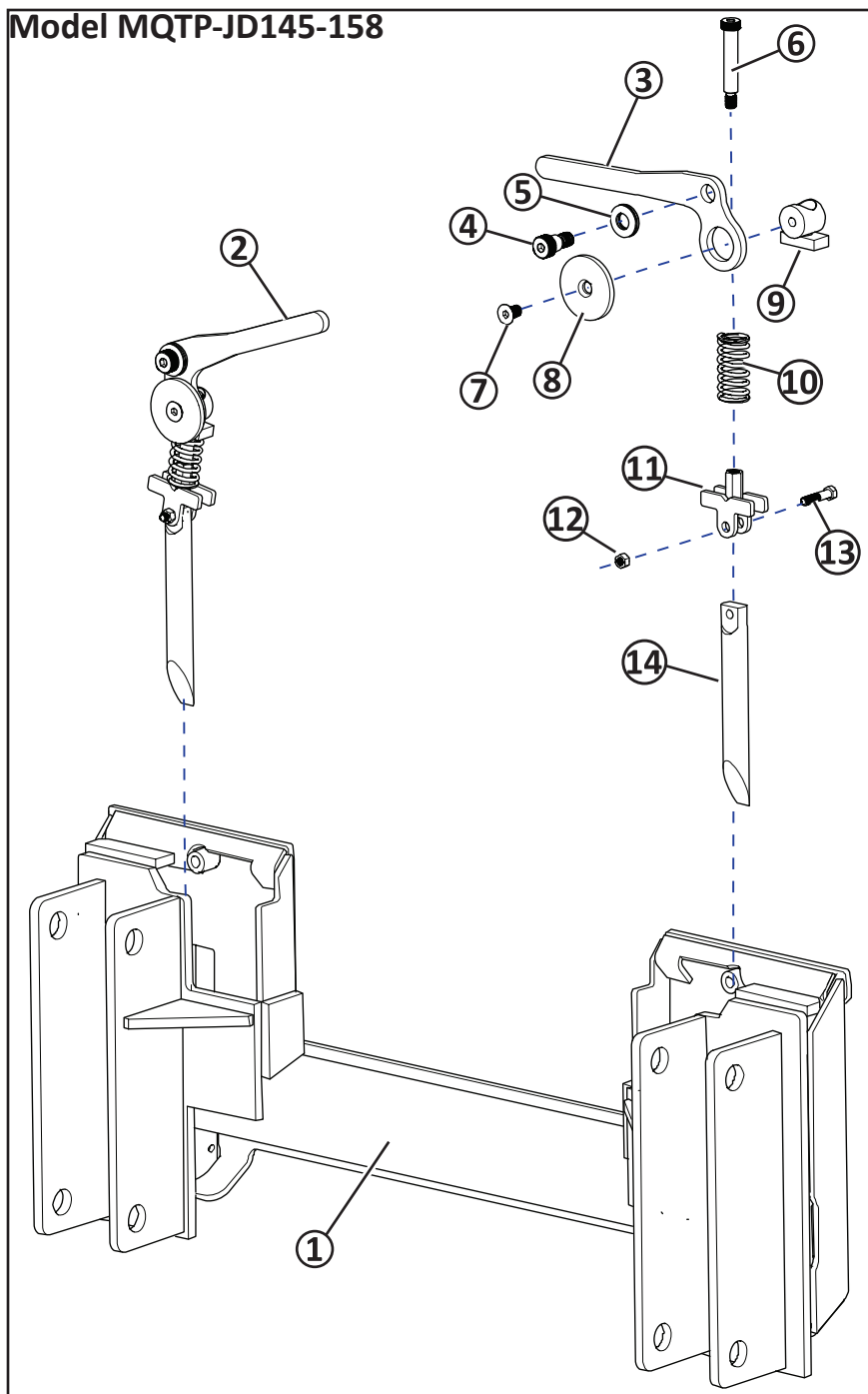
Replacement Parts

Contact Messer Attachments LLC for replacement parts. Part numbers may change without notice.

Item	Qty.	Part Number	Part Description
1	1	11736-P	Body Weldment
2	1	11504 MIR	Wedge Lever, Right
3	1	11504	Wedge Lever, Left
4	2		Shoulder Bolt, 5/8 - 11 x 5/8
5	6		Disc Spring, 3/4 x 1-1/2 OD Zinc
6	2		Shoulder Bolt, 1/2 - 13 x 3
7	2		Flat Cap Bolt, 1/2 - 13 x 7/8
8	2	11647	Washer, Counter Sunk
9	2	11544	Wedge Lever Pin Weldment
10	2	96338	Spring, 3 x .86 ID x 138 lb/in Rate
11	2	11497	Clevis Weldment
12	2		Top Locknut, 3/8 - 16
13	2		Bolt, 3/8 - 16 x 1-3/4
14	2	11936	Male Wedge Pin

Replacement Parts

Model MQTP-JD145-158



Replacement Parts

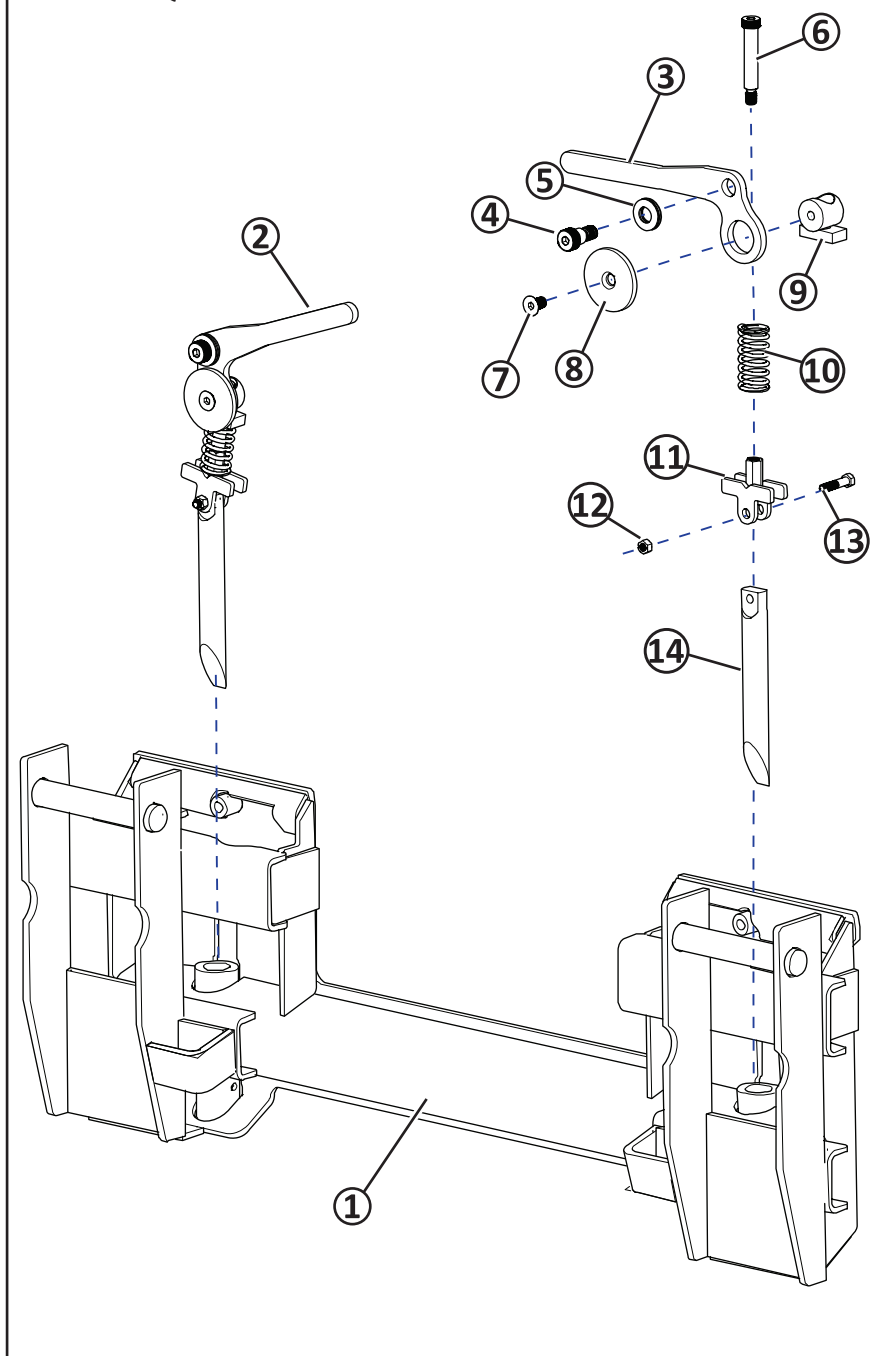
Replacement Parts

Contact Messer Attachments LLC for replacement parts. Part numbers may change without notice.

Item	Qty.	Part Number	Part Description
1	1	11737-P	Body Weldment
2	1	11504 MIR	Wedge Lever, Right
3	1	11504	Wedge Lever, Left
4	2		Shoulder Bolt, 5/8 - 11 x 5/8
5	6		Disc Spring, 3/4 x 1-1/2 OD Zinc
6	2		Shoulder Bolt, 1/2 - 13 x 3
7	2		Flat Cap Bolt, 1/2 - 13 x 7/8
8	2	11647	Washer, Counter Sunk
9	2	11544	Wedge Lever Pin Weldment
10	2	96338	Spring, 3 x .86 ID x 138 lb/in Rate
11	2	11497	Clevis Weldment
12	2		Top Locknut, 3/8 - 16
13	2		Bolt, 3/8 - 16 x 1-3/4
14	2	11936	Male Wedge Pin

Replacement Parts

Model MQTP-JD240-265



Replacement Parts

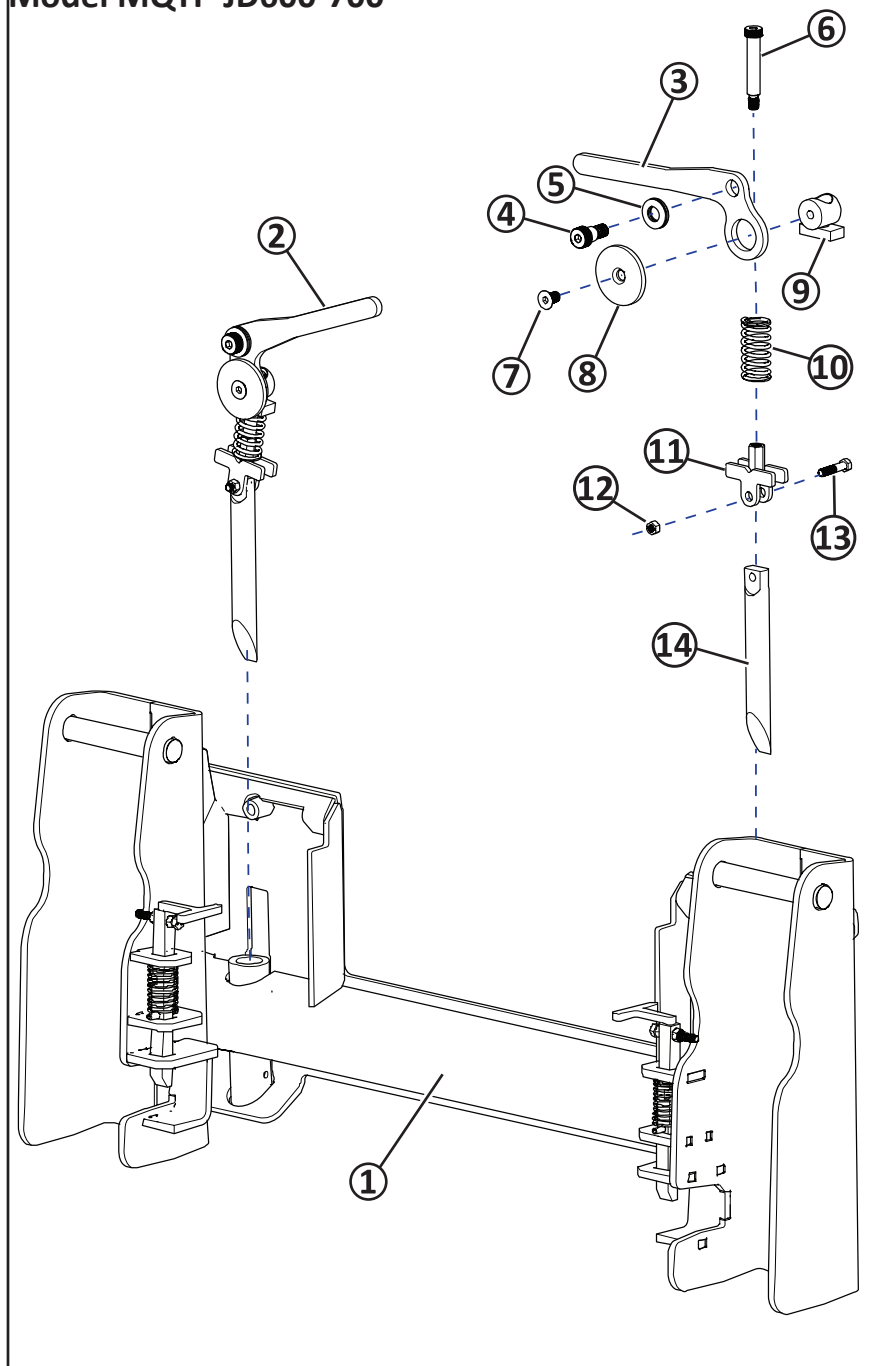
Replacement Parts

Contact Messer Attachments LLC for replacement parts. Part numbers may change without notice.

Item	Qty.	Part Number	Part Description
1	1	11889-P	Body Weldment
2	1	11504 MIR	Wedge Lever, Right
3	1	11504	Wedge Lever, Left
4	2		Shoulder Bolt, 5/8 - 11 x 5/8
5	6		Disc Spring, 3/4 x 1-1/2 OD Zinc
6	2		Shoulder Bolt, 1/2 - 13 x 3
7	2		Flat Cap Bolt, 1/2 - 13 x 7/8
8	2	11647	Washer, Counter Sunk
9	2	11544	Wedge Lever Pin Weldment
10	2	96338	Spring, 3 x .86 ID x 138 lb/in Rate
11	2	11497	Clevis Weldment
12	2		Top Locknut, 3/8 - 16
13	2		Bolt, 3/8 - 16 x 1-3/4
14	2	11936	Male Wedge Pin

Replacement Parts

Model MQTP-JD600-700



Replacement Parts

Replacement Parts

Contact Messer Attachments LLC for replacement parts. Part numbers may change without notice.

Item	Qty.	Part Number	Part Description
1	1	11893-P	Body Weldment
2	1	11504 MIR	Wedge Lever, Right
3	1	11504	Wedge Lever, Left
4	2		Shoulder Bolt, 5/8 - 11 x 5/8
5	6		Disc Spring, 3/4 x 1-1/2 OD Zinc
6	2		Shoulder Bolt, 1/2 - 13 x 3
7	2		Flat Cap Bolt, 1/2 - 13 x 7/8
8	2	11647	Washer, Counter Sunk
9	2	11544	Wedge Lever Pin Weldment
10	2	96338	Spring, 3 x .86 ID x 138 lb/in Rate
11	2	11497	Clevis Weldment
12	2		Top Locknut, 3/8 - 16
13	2		Bolt, 3/8 - 16 x 1-3/4
14	2	11936	Male Wedge Pin

Warranty

MESSER ATTACHMENTS LLC

Limited Warranty and Terms and Conditions of Sale

The following limited warranty, and terms and conditions of sale (the “Limited Warranty”) apply to all equipment, products, parts, and goods (any of the foregoing are referred to herein as “Equipment”) sold by Messer Attachments LLC (“Messer”):

1. **Covers All Equipment.** Each purchase of Equipment by a purchaser is expressly made conditional on purchaser’s assent to the terms and conditions in this Limited Warranty.

2. **Limited Warranty.** Messer warrants that for a period of 24 months from the date of purchase, the Equipment will remain free from defects in material and workmanship under normal use and proper maintenance. The warranty does not cover damage from operating in excess of rated capacities or normal wear and tear. Messer’s obligation under the warranty shall be limited to the repair or replacement (at Messer’s option) of the Equipment. Notwithstanding the foregoing, if the Equipment is used for commercial purposes or is rented or leased out by the purchaser, then, the foregoing warranty shall only be for a period of 180 days and not 24 months.

3. **No Warranty For Equipment Components From Third Parties.**

Notwithstanding the limited warranty terms set forth above, MESSER OFFERS NO WARRANTY WHATSOEVER WITH RESPECT TO ANY COMPONENTS OF THE EQUIPMENT MADE OR PROVIDED TO MESSER BY OTHER MANUFACTURERS, PRODUCERS, OR SELLERS (the “Purchased Components”). The sole and exclusive warranty for each the Purchased Components shall be limited to the express written warranty with respect to the Purchased Component as provided by the manufacturer, producer, or seller of such Purchased Component. Messer’s responsibility and liability for the Purchased Components shall be limited to the assignment of the Purchased Components’ express written warranties applicable to the Purchased Components. Purchased Components include, without limitation, the following: axles, tires and rims; trailer hitch components and jacks; hydraulic pumps, motors, cylinders and components; and bales spears, pallet tines, and bucket teeth.

4. **No Other Warranties.** THE FOREGOING REPAIR AND REPLACEMENT OBLIGATIONS IN SECTION 2 ARE IN LIEU OF ALL OTHER WARRANTIES, LIABILITIES AND OBLIGATIONS, INCLUDING ALL WARRANTIES OF MERCHANTABILITY, OF FITNESS FOR A PARTICULAR PURPOSE OR OTHERWISE, EXPRESSED OR IMPLIED IN FACT OR BY LAW, AND STATE MESSER’S ENTIRE AND EXCLUSIVE LIABILITY AND PURCHASER’S EXCLUSIVE REMEDY FOR ANY CLAIM IN CONNECTION WITH THE SALE AND PURCHASE OF EQUIPMENT (AND ALL COMPONENTS THEREOF), THEIR DESIGN, SUITABILITY FOR USE, INSTALLATION OR OPERATIONS.

Warranty

5. Location of Warranty Repairs. All warranty repairs pursuant to this Limited Warranty shall be made at Messer's corporate manufacturing plant, or other location as determined by Messer, at its discretion. Purchaser shall be responsible for and pay for any transportation expenses necessary for Limited Warranty repairs.
6. Limited Warranty Voidable. The limited warranty herein is void and deemed waived if the purchaser fails to give written notice to Messer of any alleged defect under the limited warranty herein within 20 days of its discovery; or (a) purchaser or parties other than Messer or its authorized representatives attempts to remedy or fix the alleged Equipment defects; or (b) purchaser has used the Equipment for purposes it was not intended to be used for; or (c) purchaser has not operated the Equipment in a manner consistent with Messer's instructions for the Equipment; or (d) the Equipment has been modified, altered, abused, or misused; or (e) the Equipment has been damaged pursuant to accident, fire, flood, or other Act of God.
7. No Consequential Damages. IN NO EVENT SHALL MESSER BE LIABLE FOR ANY DIRECT, INDIRECT, SPECIAL OR CONSEQUENTIAL DAMAGES WHATSOEVER, AND MESSER'S LIABILITY, UNDER NO CIRCUMSTANCES, WILL EXCEED THE PRICE PAID FOR THE EQUIPMENT FOR WHICH LIABILITY IS CLAIMED.
8. Governing Law. This contract shall be governed by the laws of the State of Minnesota.
9. Arbitration. Any controversy or claim arising out of or relating to the limited warranty provided herein, or any alleged breach thereof, shall be settled exclusively by arbitration in accordance with the Rules of the American Arbitration Association, and judgment upon the award rendered by the arbitrator may be entered in any court having jurisdiction thereof. The arbitration shall be conducted in Minneapolis, MN, by one arbitrator selected by Messer and Purchaser, or, if they cannot agree, the President of the American Arbitration Association.

